



IM60+ SERIES PHOTOVOLTAIC MODULES

PEAK POWER: 250–260 W_p

FEATURES INCLUDE:

- 60 MOTEC multicrystalline solar cells connected in series
- Positive power tolerance of 0~3% improves system performance
- Industry-leading module efficiency: maximum efficiency of 15.9%
- Dual certified to UL and International IEC standards
- Designed for 600V or 1000V systems
- Tested up to 5400Pa for maximum load resistance
- Progressive Power Warranty guarantees 80.7% of rated power at 25 years
- Manufactured globally with world-class quality standards

QUALITY, RELIABILITY, AND KWH YIELD

MOTEC modules are powered by industry acknowledged high performance, reliable MOTEC silicon cells. 20 years of experience in solar module engineering and design, along with rigorous durability and performance tests, ensure reliable lifetime performance and maximum kWh yield.

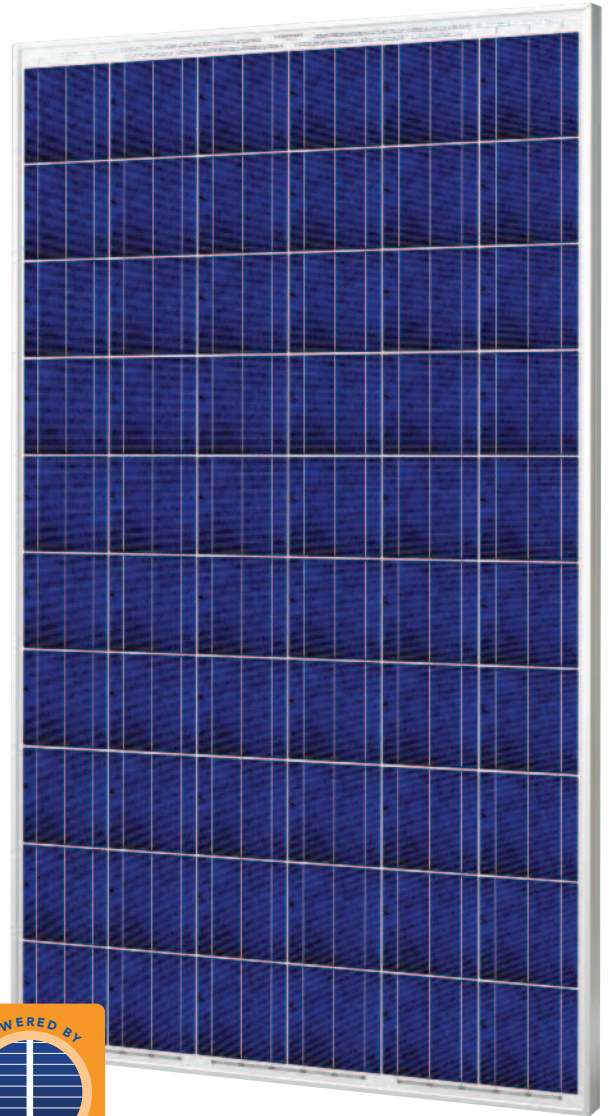
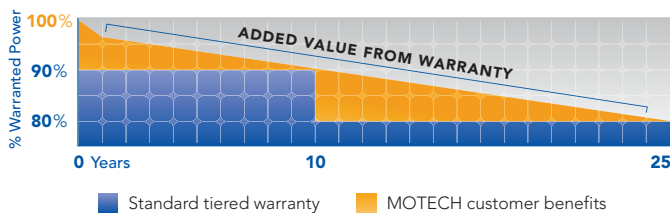
AMERICAN RECOVERY AND REINVESTMENT ACT



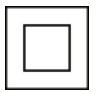
Modules manufactured at our Newark, Delaware facility qualify for projects that are required to meet the "Buy American" clause of the American Recovery and Reinvestment Act (ARRA).

25-YEAR PROGRESSIVE WARRANTY*

- 25-year progressive power warranty
- 10-year warranty on materials and workmanship



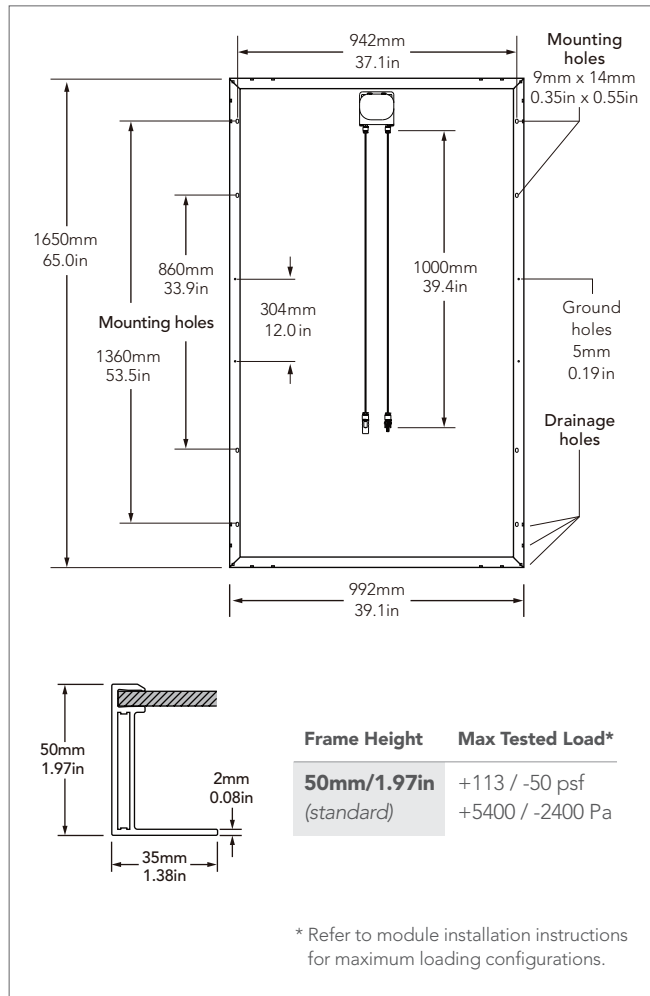
CERTIFICATIONS & STANDARDS*



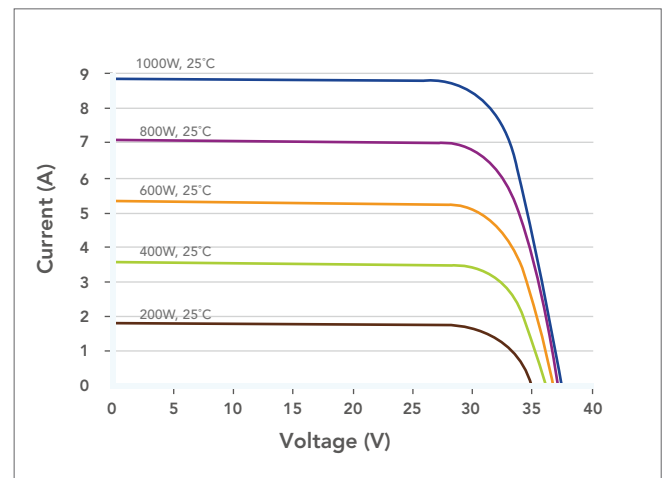
Intertek
UL1703
IEC61215
IEC61730-1,2

Application Class A
Safety Class II

* Please refer to our website at www.motechsolar.com for certification and warranty details

PHYSICAL CHARACTERISTICS

PHYSICAL DESIGN PROPERTIES

Weight	43.9 lb [19.9 kg]
Glass	3.2mm low iron, extra clear, tempered PV glass
Hailstone Impact Resistance	1" @ 50 mph [25 mm @ 80 kph]
Junction Box	Amphenol Hercules, IP67 rated UL 1000V/IEC 1000V Certified
Output Cables	4.0mm ² Universal PV Wire, 1000mm [39.4in]
Connectors	H4 Connectors (MC4 Compatible)

IV CURVE

ELECTRICAL PERFORMANCE

		IM60C3-250-A10B50		IM60C3-255-A10B50		IM60C3-260-A10B50	
STC Peak Power (W)		250		255		260	
NOCT Peak Power (W)		182		186		190	
Efficiency (%)		15.3%		15.6%		15.9%	
Test Conditions		STC	NOCT	STC	NOCT	STC	NOCT
Max. Power Voltage	V _{mpp} (V)	30.93	28.08	30.78	27.94	31.06	28.20
Max. Power Current	I _{mpp} (A)	8.08	6.49	8.29	6.65	8.37	6.73
Open Circuit Voltage	V _{oc} (V)	37.68	34.59	37.54	34.57	37.76	34.77
Short Circuit Current	I _{sc} (A)	8.63	7.00	8.85	7.18	8.93	7.24

ELECTRICAL PERFORMANCE PARAMETERS

Isc Temperature Coefficient	α (%/°C)	+0.07 ±0.02	Max. Series Fuse	15A
Voc Temperature Coefficient	β (%/°C)	-0.34 ±0.01	Max. System Voltage (UL & IEC)	1000V
Pmax Temperature Coefficient	γ (%/°C)	-0.46 ±0.02	Normal Operating Cell Temp. (NOCT)	46°C ± 2°C
Efficiency Reduction at 200W/m ² , 25°C		<5%	Limiting Reverse Current (I _r)	9.0A

IV parameters are rated at Standard Test Conditions (Irradiance of 1000 W/m², AM 1.5, cell temperature 25°C). All measurements are guaranteed at the laminate leads. NOCT is measured at 800 W/m², 20°C ambient, and 1 m/s windspeed. Specifications are subject to change without notice. Motech reserves the rights of final interpretation and revision on this datasheet.

MA001763 Rev D Mar 2013